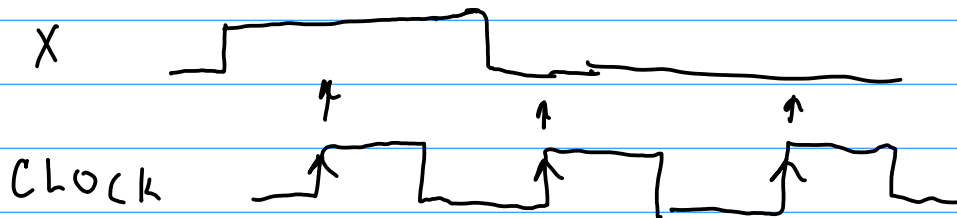
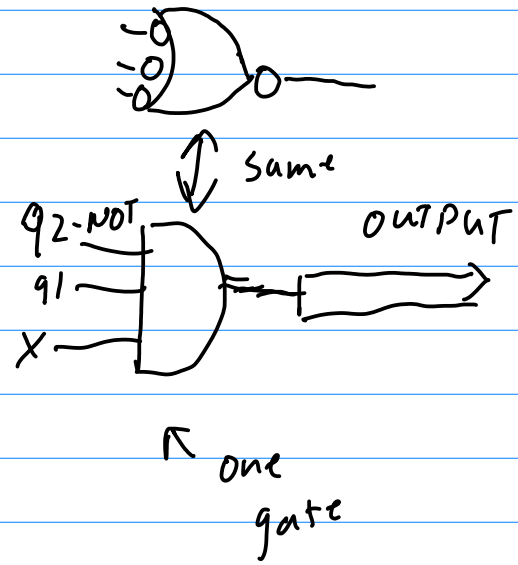
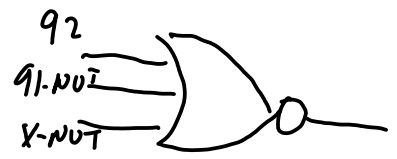
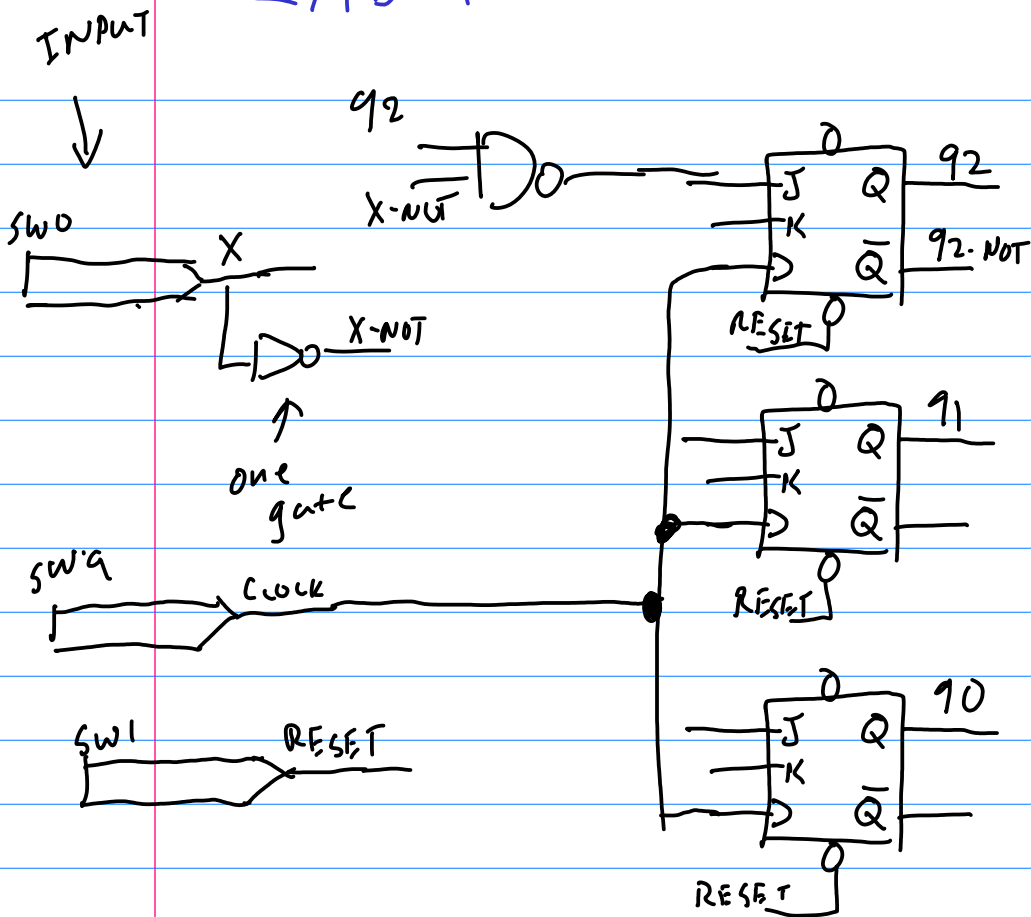
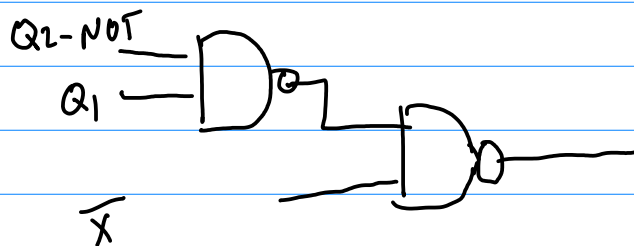
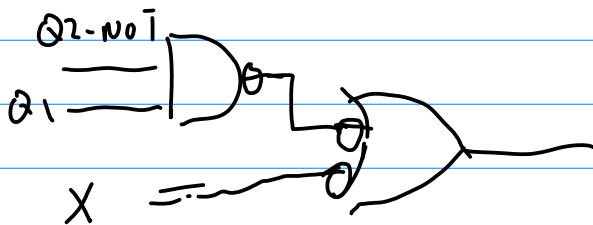


LAB 9 NOTES



7



Lab 9 Partial state graph

- z states
- 0 (01) s3
 - 0 (010) s4
 - 1 (0101) s5

