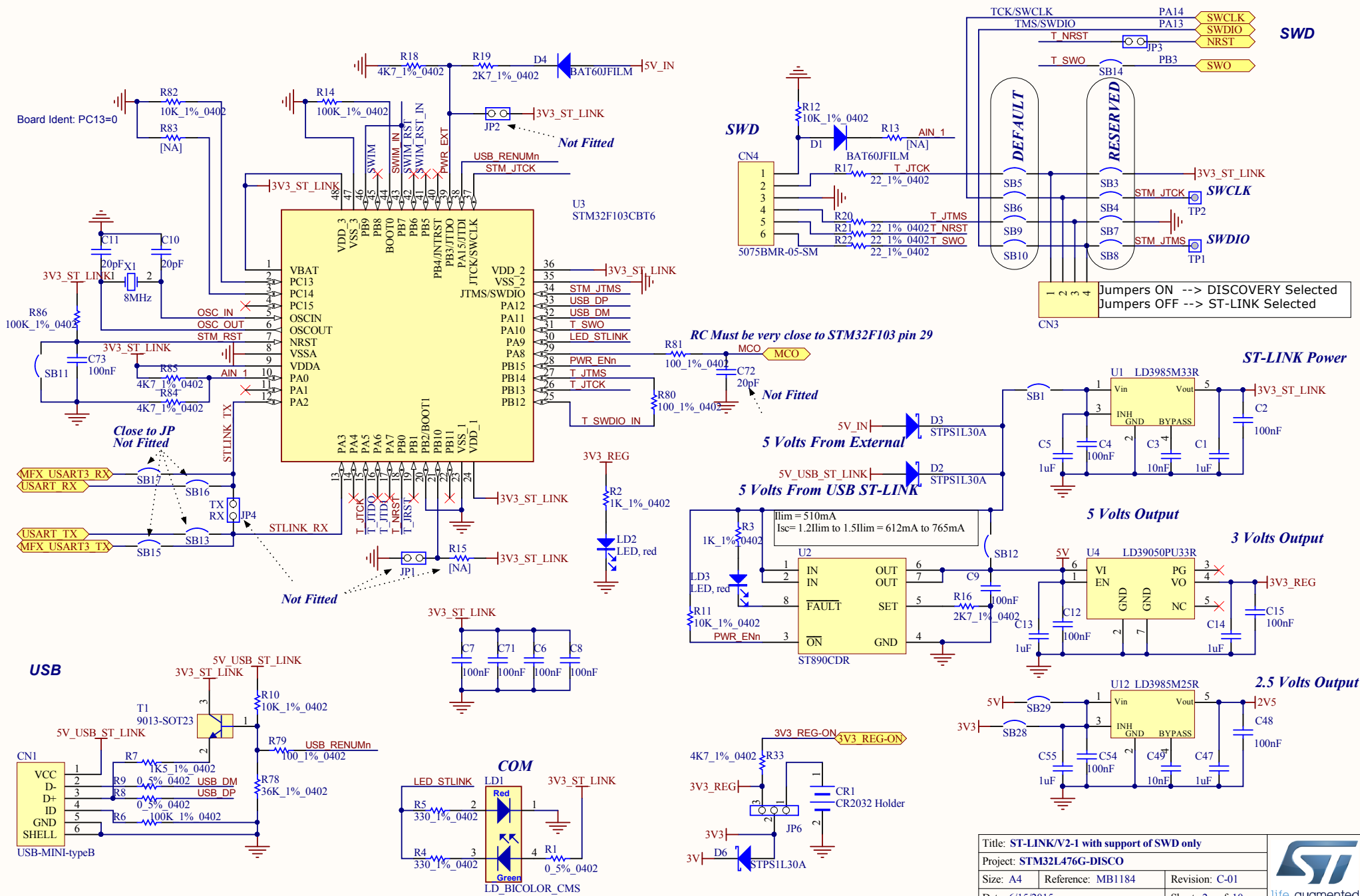



Rev A-01 -> PCB label MB1184 A-01  
 Rev B-01 -> PCB label MB1184 B-01, Remove R91, Replace COM4..7 by COM0..3, Add SB for USB\_OTG, add VBUS on P2 for USB USER power supply  
 Rev C-01 -> PCB label MB1184 C-01, Remove SWCLK and SWO shorted, Replaced on P1, PB8..9 by PB6..7, -> MP45DT02 replaced by MP34DT01 -> Xtal 32.768kHz replaced by NX3215SA -> Change values of C27, C25 : C27=C25=4.7pF -> Change values of resistors : R40=R47=6.04k, R49=15k.

Title: STM32L476 Discovery		
Project: STM32L476G-DISCO		
Size: A4	Reference: MB1184	Revision: C-01
Date: 6/15/2015	Sheet: 1 of 10	





Title: ST-LINK/V2-1 with support of SWD only			
Project: STM32L476G-DISCO			
Size: A4	Reference: MB1184	Revision: C-01	life.augmented
Date: 6/15/2015	Sheet: 2 of 10		

PA8	COM0
PA9	COM1
PA10	COM2
PB9	COM3

PA7	SEG0
PC5	SEG1
PB1	SEG2
PB13	SEG3
PB15	SEG4
PD9	SEG5
PD11	SEG6
PD13	SEG7
PD15	SEG8
PC7	SEG9
PA15	SEG10
PB4	SEG11
PB5	SEG12

PC8	SEG13
PC6	SEG14
PD14	SEG15
PD12	SEG16
PD10	SEG17
PD8	SEG18
PB14	SEG19
PB12	SEG20
PC0	SEG21
PC4	SEG22
PA6	SEG23

PB3	3V3 REG-ON	3V3 REG-ON
PD5	USART TX	USART TX
PD6	USART RX	USART RX
PA14	SWCLK	SWCLK
PA13	SWDIO	SWDIO
PB3	SWO	SWO

OSPI CS	PE11	OSPI CS
OSPI CLK	PE10	OSPI CLK
OSPI D0	PE12	OSPI D0
OSPI D1	PE13	OSPI D1
OSPI D2	PE14	OSPI D2
OSPI D3	PE15	OSPI D3

SAII MCK	PE2	SAII MCK
SAII SCK	PE5	SAII SCK
SAII SD	PE6	SAII SD
SAII FS	PE4	SAII FS

AUDIO RST	PE3	AUDIO RST
AUDIO DIN	PE7	AUDIO DIN
AUDIO CLK	PE9	AUDIO CLK

OTG FS PowerSwitchOn	PC9	OTG FS PowerSwitchOn
OTG FS VBUS	PC11	OTG FS VBUS
OTG FS DM	PA11	OTG FS DM
OTG FS DP	PA12	OTG FS DP
OTG FS ID	PC12	OTG FS ID
OTG FS OverCurrent	PC10	OTG FS OverCurrent

SEGJ(0..23)		SEGJ(0..23)
COM(0..3)		COM(0..3)

EXT RST	PD0	EXT RST
---------	-----	---------

LD R	PB2	LD R
LD G	PE8	LD G

NRST		NRST
------	--	------

JOY CENTER	PA0	JOY CENTER
JOY DOWN	PA5	JOY DOWN
JOY LEFT	PA1	JOY LEFT
JOY RIGHT	PA2	JOY RIGHT
JOY UP	PA3	JOY UP

MFx USART3 TX		MFx USART3 TX
MFx USART3 RX		MFx USART3 RX

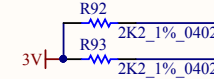
MFx WAKEUP	PA4	MFx WAKEUP
MFx IRQ OUT	PC13	MFx IRQ OUT
MFx I2C SCL	PB10	MFx I2C SCL
MFx I2C SDA	PB11	MFx I2C SDA

MEMS SCK	PD1	MEMS SCK
MEMS MOSI	PD4	MEMS MOSI
MEMS MISO	PD3	MEMS MISO

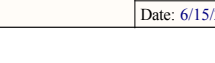
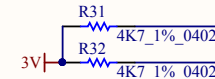
GYRO CS	PD7	GYRO CS
GYRO INT2	PB8	GYRO INT2
GYRO INT1	PD2	GYRO INT1

XL CS	PE0	XL CS
XL INT	PE1	XL INT

MAG CS	PC0	MAG CS
MAG DRDY	PC2	MAG DRDY
MAG INT	PC1	MAG INT



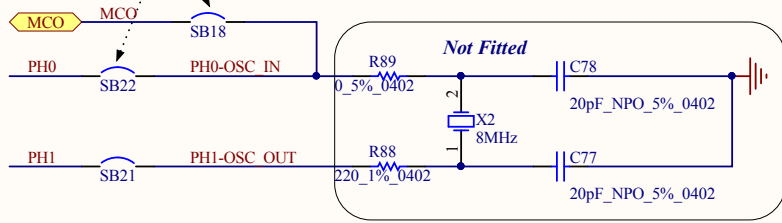
Layout priority to PA9, PA10



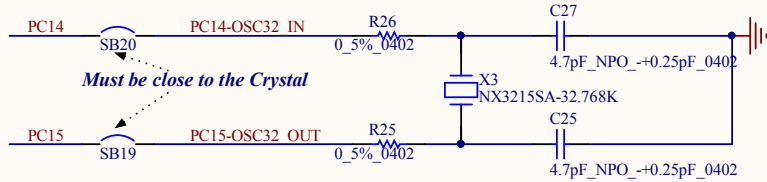
PC15	PC15
PC14	PC14

PH[0..1]	PH[0..1]
----------	----------

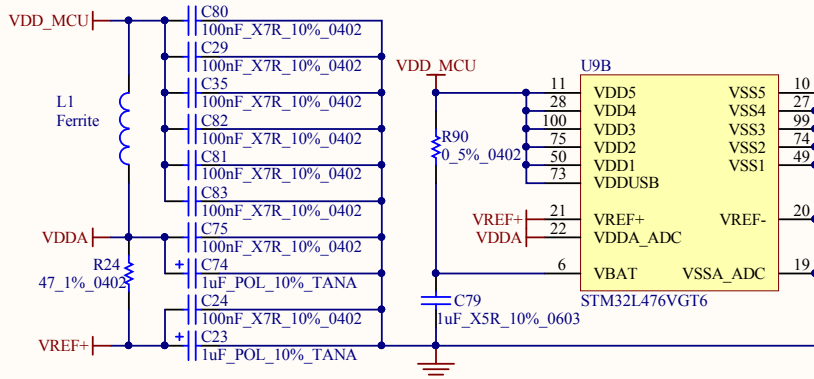
Must be close to the MCU



Must be close to the Crystal



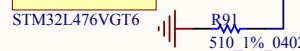
All this block must be very close to the STM32L476



PA0	23	PA0	PE0	97	PE0
PA1	24	PA1	PE1	98	PE1
PA2	25	PA2	PE2	1	PE2
PA3	26	PA3	PE3	2	PE3
PA4	29	PA4	PE4	3	PE4
PA5	30	PA5	PE5	4	PE5
PA6	31	PA6	PE6	5	PE6
PA7	32	PA7	PE7	38	PE7
PA8	67	PA8	PE8	39	PE8
PA9	68	PA9	PE9	40	PE9
PA10	69	PA10	PE10	41	PE10
PA11	70	PA11	PE11	42	PE11
PA12	71	PA12	PE12	43	PE12
PA13	72	PA13	PE13	44	PE13
PA14	76	PA14	PE14	45	PE14
PA15	77	PA15	PE15	46	PE15

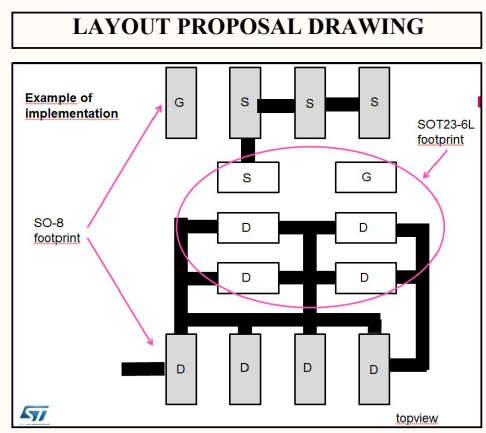
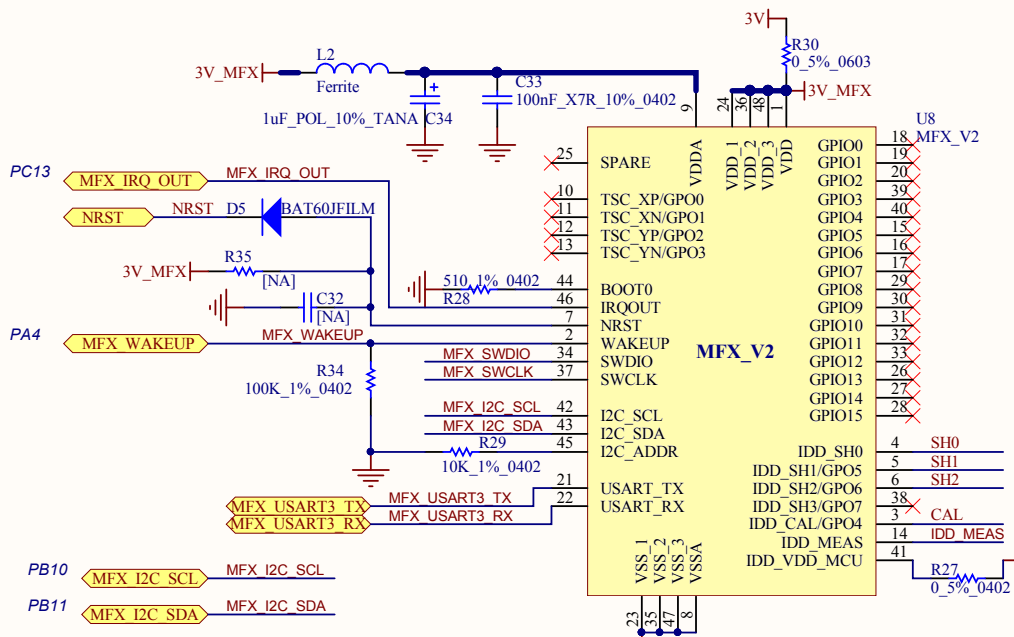
PB0	35	PB0	PD0	81	PD0
PB1	36	PB1	PD1	82	PD1
PB2	37	PB2	PD2	83	PD2
PB3	89	PB3	PD3	84	PD3
PB4	90	PB4	PD4	85	PD4
PB5	91	PB5	PD5	86	PD5
PB6	92	PB6	PD6	87	PD6
PB7	93	PB7	PD7	88	PD7
PB8	95	PB8	PD8	55	PD8
PB9	96	PB9	PD9	56	PD9
PB10	47	PB10	PD10	57	PD10
PB11	48	PB11	PD11	58	PD11
PB12	51	PB12	PD12	59	PD12
PB13	52	PB13	PD13	60	PD13
PB14	53	PB14	PD14	61	PD14
PB15	54	PB15	PD15	62	PD15

PC0	15	PC0			
PC1	16	PC1			
PC2	17	PC2			
PC3	18	PC3/VLCD	PH0	12	PH0-OSC IN
PC4	33	PC4	PH1	13	PH1-OSC OUT
PC5	34	PC5			
PC6	63	PC6			
PC7	64	PC7	PC14	8	PC14-OSC32 IN
PC8	65	PC8	PC15	9	PC15-OSC32 OUT
PC9	66	PC9			
PC10	78	PC10			
PC11	79	PC11	NRST	14	NRST
PC12	80	PC12			
PC13	7	PC13	BOOT0	94	BOOT0

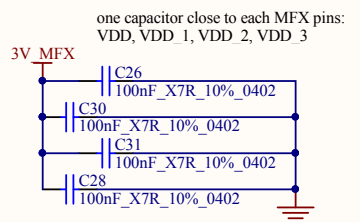
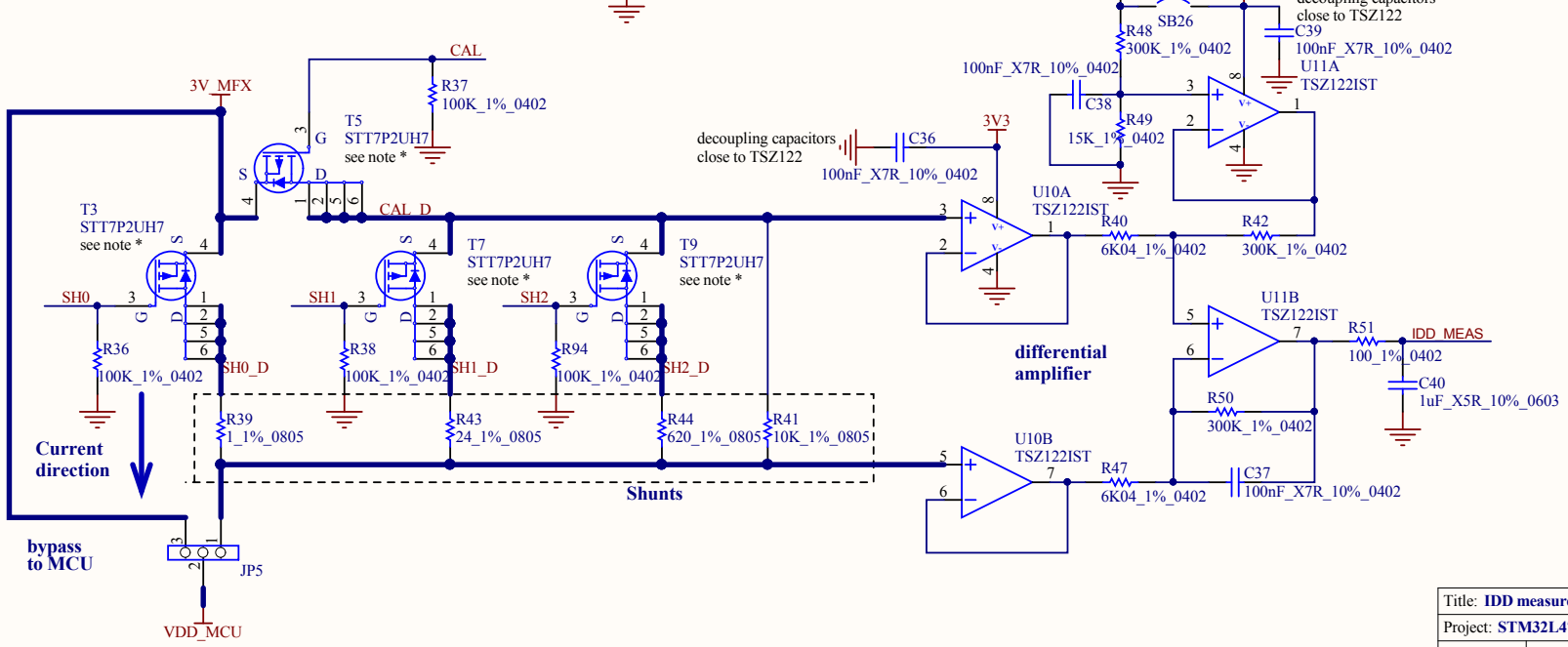
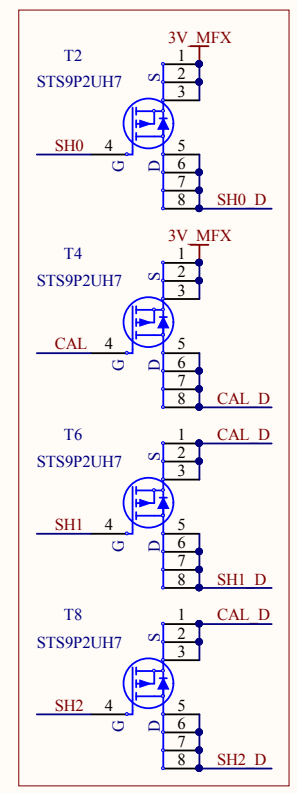


Title: STM32L476VGT6 MCU		
Project: STM32L476G-DISCO		
Size: A4	Reference: MB1184	Revision: C-01
Date: 6/15/2015		Sheet: 3 of 10





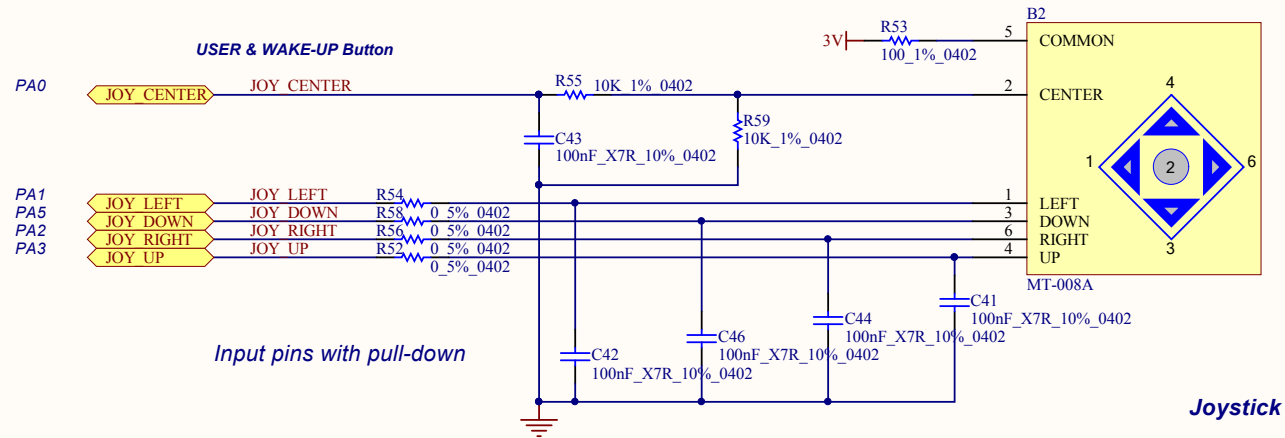
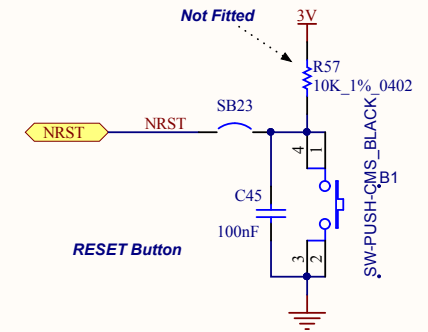
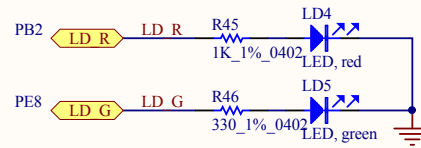
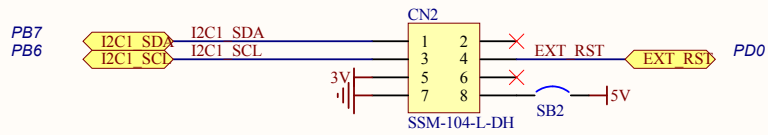
Note \*: two footprints superimposed allows to also populate with SO-8 package. (STS9P2UH7 P MOS transistors)



Title: IDD measurement / MFX (Multi Function eXpander)		
Project: STM32L476G-DISCO		
Size: A4	Reference: MB1184	Revision: C-01
Date: 6/15/2015	Sheet: 4 of 10	



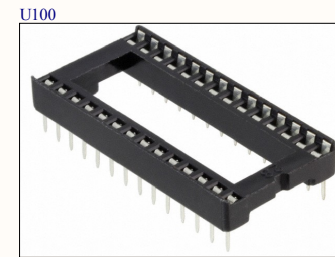
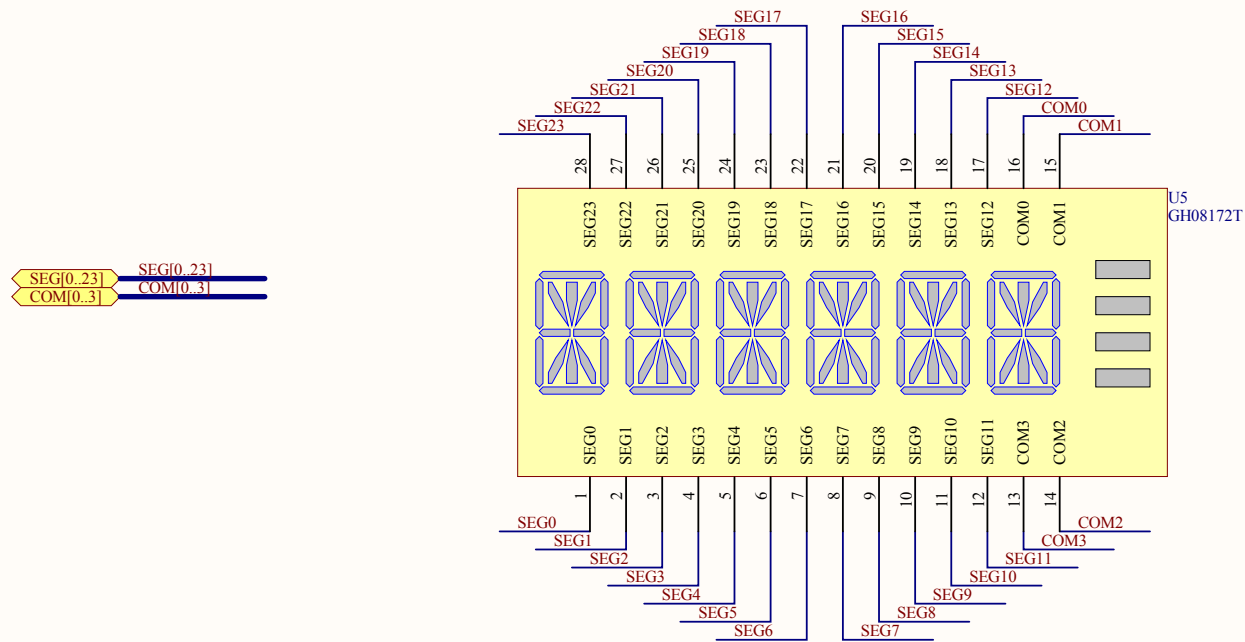
## EXT/RF E2P Connector



Title: Joystick, ACP, LEDs and Push Button		
Project: STM32L476G-DISCO		
Size: A4	Reference: MB1184	Revision: C-01
Date: 6/15/2015	Sheet: 5 of 10	

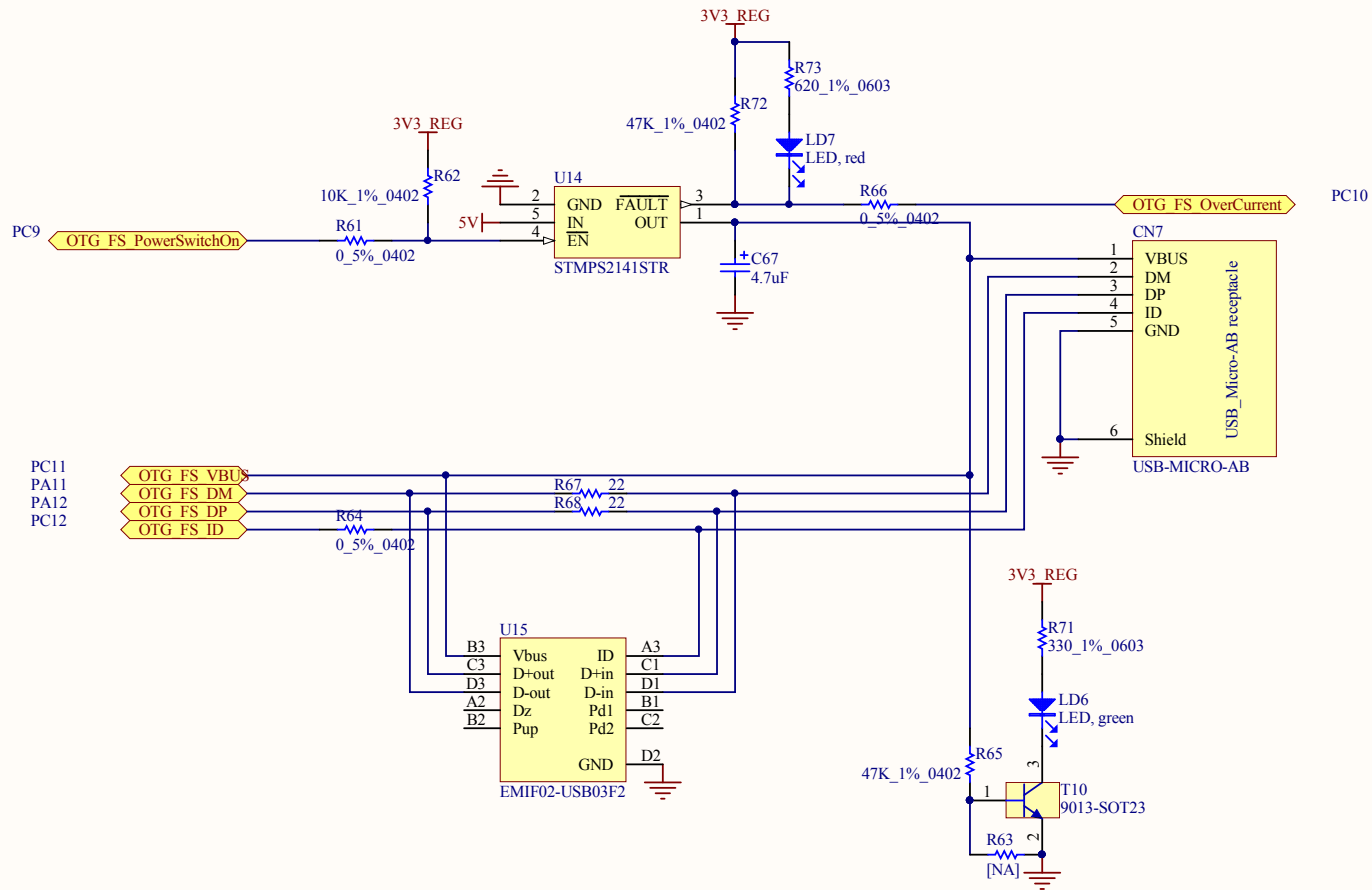


# LCD



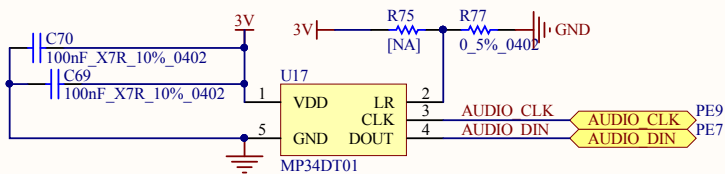
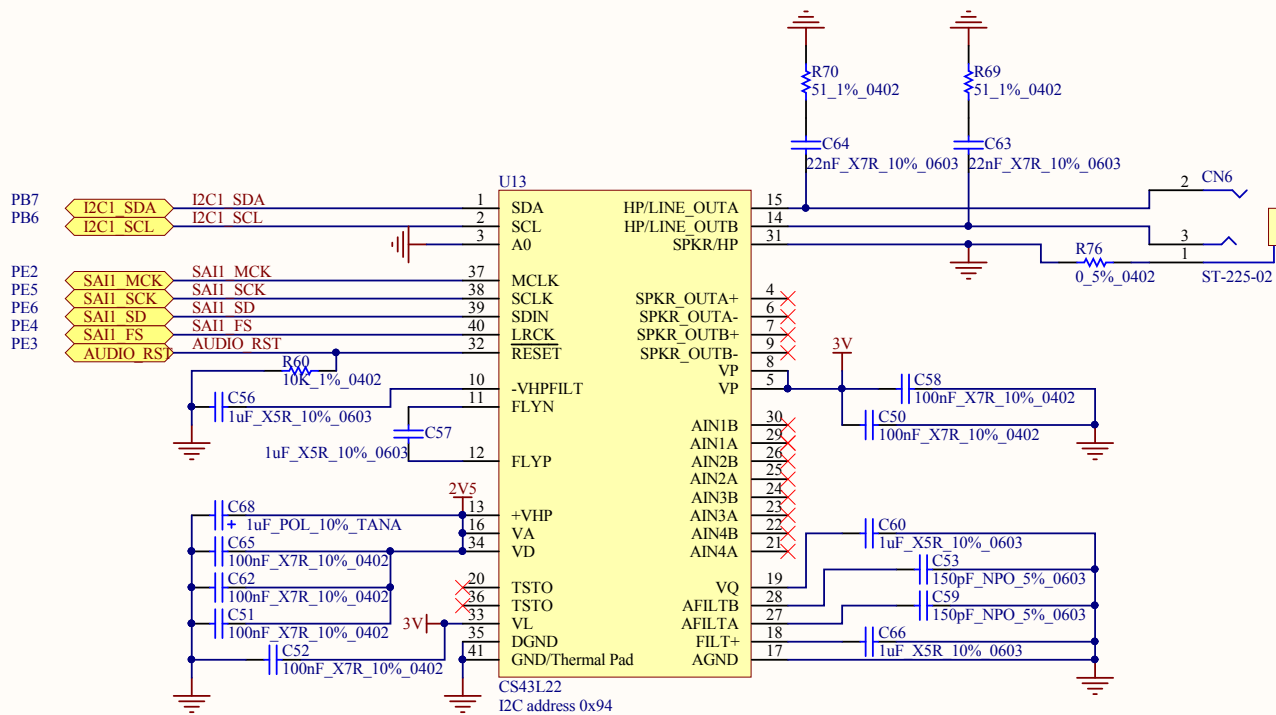
Title: LCD Display		
Project: STM32L476G-DISCO		
Size: A4	Reference: MB1184	Revision: C-01
Date: 6/15/2015	Sheet: 6 of 10	





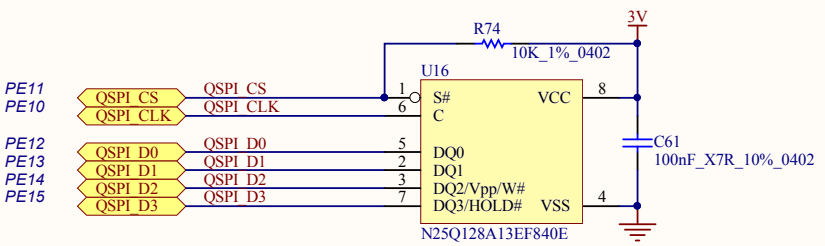
Title: OTG USB FS		
Project: STM32L476G-DISCO		
Size: A4	Reference: MB1184	Revision: C-01
Date: 6/15/2015	Sheet: 7 of 10	





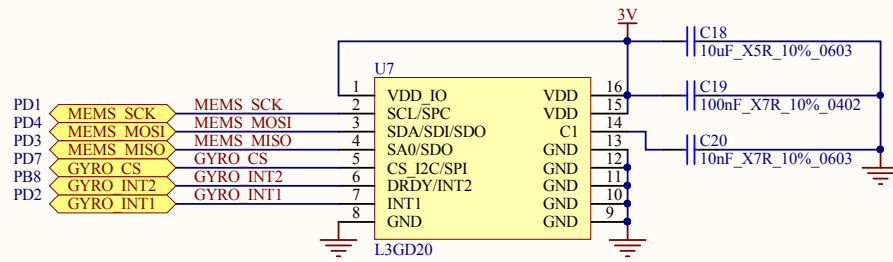


### Quad SPI Flash Memory



Title: <b>Quad SPI Flash Memory</b>		
Project: <b>STM32L476G-DISCO</b>		
Size: A4	Reference: MB1184	Revision: C-01
Date: 6/15/2015	Sheet: 9 of 10	





## MEMS

