

ECE471: Embedded Systems – Homework 6

Direct (bit-bang) i2c Access

Due: Tuesday, 20 October 2015, 9:30am EDT

1. Use your Raspberry Pi for this homework. In addition you will need the 4x7 segment LED display used in Homework 5.
2. Hook up the display just as you did in Homework 5.

You can use Figure 1 and Table 1 for guidance.

As a reminder: 3.3V to +, GND to –, SDA to D, and SCL to C.

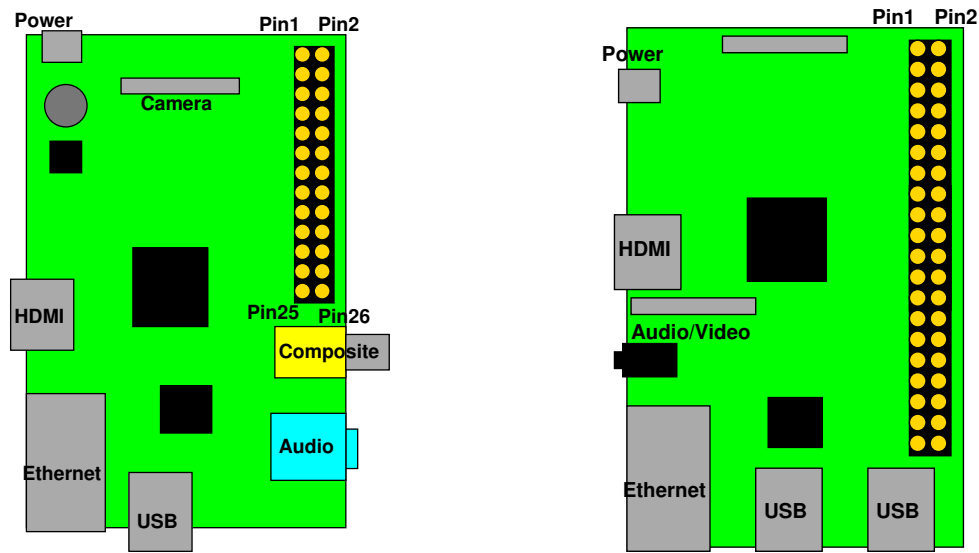


Figure 1: Location of header on Raspberry Pi Model B and B+/2

Table 1: Raspberry Pi Header Pinout

3.3V	1	2	5V
GPIO2 (SDA)	3	4	5V
GPIO3 (SCL)	5	6	GND
GPIO4	7	8	GPIO14 (UART_TXD)
GND	9	10	GPIO15 (UART_RXD)
GPIO17	11	12	GPIO18 (PCM_CLK)
GPIO27	13	14	GND
GPIO22	15	16	GPIO23
3.3V	17	18	GPIO24
GPIO10 (MOSI)	19	20	GND
GPIO9 (MISO)	21	22	GPIO25
GPIO11 (SCLK)	23	24	GPIO8 (CE0)
GND	25	26	GPIO7 (CE1)
ID_SD (EEPROM)	27	28	ID_SC (EEPROM)
GPIO5	29	30	GND
GPIO6	31	32	GPIO12
GPIO13	33	34	GND
GPIO19	35	36	GPIO16
GPIO26	37	38	GPIO20
GND	39	40	GPIO21

3. Getting the Code

The display is run by a ht16k33 chip. You can get the datasheet here:

<http://www.adafruit.com/datasheets/ht16K33v110.pdf>

Download the template code from the ECE471 website:

http://web.eece.maine.edu/~vweaver/classes/ece471_2015f/ece471_hw6_code.tar.gz

Uncompress it with `tar -xzvf ece471_hw6_code.tar.gz`

4. Enable bit-bang i2c support (6 points)

Modify the provided `i2c-bitbang.c` file. Running `make` should build your code.

Comment your code!

The provided code does various things for you. It provides code that enables the GPIOs, opens file descriptors to the GPIO value files, etc.

You will need to fill in various functions in the file before it will work.

(a) Helper functions

i. `SDA_gpio_pull_low()`

This routine should change the SDA GPIO write direction to output and then write a '0' to the (already open) `sda_fd` value filedescriptor.

You can use the provided `gpio_set_output()` routine to change the write direction:
`gpio_set_output(SDA_GPIO);`

ii. `SCL_gpio_pull_low()`

This routine should be like the previous one but pull SCL low instead of SDA.

iii. `SDA_gpio_float_high()`

On an open collector bus with resistor pullups you do not want to set a pin high. You want to let it float high by not driving an output. An easy way to do that is to set the pin to input mode (you can use `gpio_set_input()`)

iv. `SCL_gpio_float_high()`

This routine should be like the previous one but letting SCL float high instead of SDA.

v. `read_SDA()`

This routine should read the SDA line and return the value read.

First change the GPIO direction to input (you can use the provided

`gpio_set_input(SDA_GPIO);`). Be sure to rewind `sda_fd` with

`lseek(sda_fd, 0, SEEK_SET);` before reading. Read the value and return 0 or 1.

Remember to convert from ASCII to decimal!

vi. `read_SCL()`

This routine should be like `read_SDA()` but for SCL instead. Be careful when cut-and-pasting that you convert all the `sda` to `scl`.

(b) i2c helper routines

i. `i2c_start_bit()`

This routine should send an i2c start bit. If you recall, this means SDA goes from high to low while SCL is high. Ensure that SCL stays high for a long enough time (you can use the provided `I2C_delay()` routine).

- ii. `i2c_stop_bit()`
This routine should send an i2c stop bit. This is much like the previous start bit routine, only SDA goes from low to high while SCL is high.
- iii. `i2c_read_bit()`
Let SDA go high and wait a delay.
Let SCL go high and wait a delay.
At this point the slave device should have set SDA so read the value of SDA.
Delay, then pull SCL low.
- iv. `i2c_write_bit()`
Pull SCL low.
Set SDA to the value you want.
Delay. Then let SCL go high.
Delay. Then pull SCL back low.
- v. `i2c_write_byte()`
This routine writes an i2c byte.
To do this you will need to write all 8 bits in the passed in byte value.
One way to do this is have a loop that iterates over all 8 bits (remember, most significant bit first) and calls `i2c_write_bit()` on each.
After sending all 8-bits, read the NACK bit with `i2c_read_bit()` and make sure it is 0 signifying the device received the data OK.

Once you have all of the above implemented, running (as root or with `sudo`) `./i2c-bitbang` should light up the display, alternating all on and all off.

What happens is the code in `main` writes a series of i2c transactions that configure the display much like in HW#5.

The provided `write_i2c()` call sends a start bit, writes all bytes using the `i2c_write_byte()` function, and sends a stop bit. The byte array sent in has the address as the first byte (7-bits plus direction) followed by the commands to send to the device.

5. Something Cool (1 point)

Copy your `i2c-bitbang.c` code over to `i2c-cool.c` and modify it to do something extra. It can just be the same blinking ECE 471 or whatever you did for HW5, or you can try out something different this time. Put into the README some notes about what your code does.

Alternately, hook up the i2c bus to a logic analyzer (an analog discovery board) and send a plot of an i2c transaction along with your homework submission. Does the i2c waveform look anything like the one shown in the lecture notes?

6. Questions (2 points)

Answer the following in the README file:

- (a) What does the keyword `static` mean when you put it in front of C function definitions?
- (b) Does your code in this assignment implement the full i2c protocol? What is missing?
- (c) The assignment does not specifically ask you to implement robust error handling (so you won't be graded on that). Given that, does your code handle all possible error conditions? List at least one error condition your current code would not handle well.

7. Linux Fun (1 point)

- (a) You can use the `cat` command to dump a text file to the screen. Run `cat /proc/interrupts` which will give you status on the interrupts that have happened on your Pi since it was turned on.

List a name of one of the interrupt sources.

- (b) There is a command called `yes`. Run it and see what it does. Why do you think a utility like this exists?

8. Submitting your work

- Run `make submit` which will create a `hw6_submit.tar.gz` file containing `Makefile`, `README`, `i2c-bitbang.c`, and `i2c-cool.c`. You can verify the contents with `tar -tzvf hw6_submit.tar.gz`
- e-mail the `hw6_submit.tar.gz` file to me by the homework deadline. Be sure to send the proper file!